

Sign No.

W093L

© GOVERNMENT OF IRELAND.

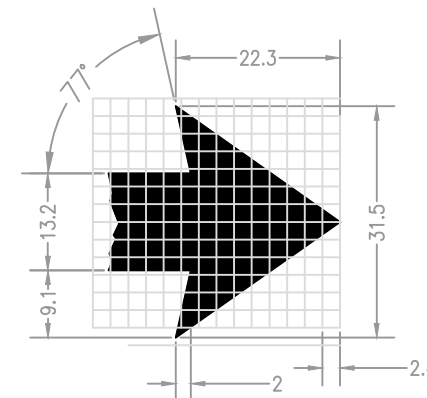
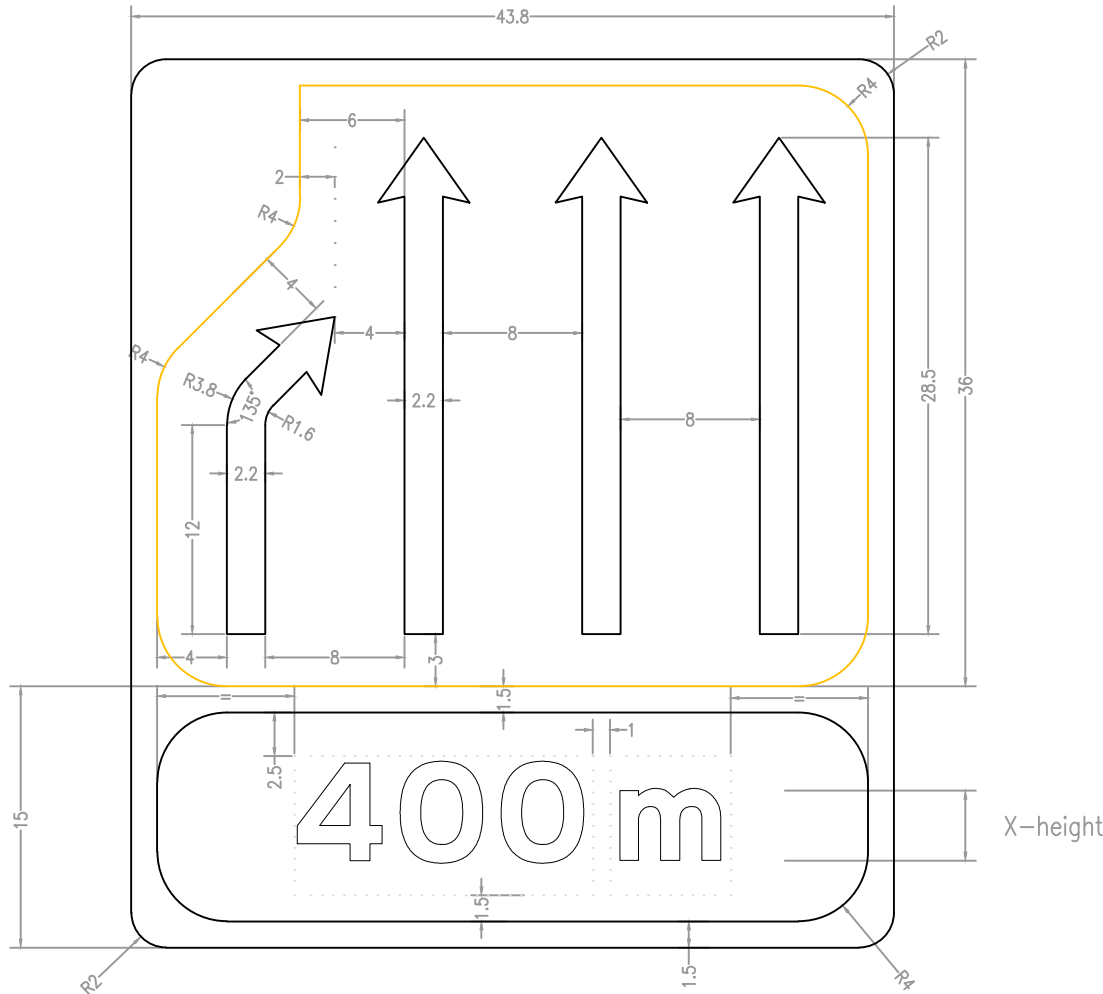
NOTES: 1. Dimensions and tile outlines do not form part of the sign.

2. Sign dimensions are in stroke widths. The table shows a range of x-heights to be used and width and height rounded to the nearest 5mm.

3. COLOURS:- Standard  
 Border BLACK  
 Background YELLOW  
 Symbol BLACK

Lower Panel:  
 Text BLACK  
 Background WHITE

x-height	W	H
100	840	1275
125	1050	1595
175	1470	2230
225	1890	2870
300	2520	3825



Title: Warning Signs  
 Lane Loss  
 (Four to Three Lanes)

Issue: A: 01.08.11  
 B:  
 C:

Date:  
 Dimensions: MILLIMETRES

Sign No. W093L