

Sign No.

W092L

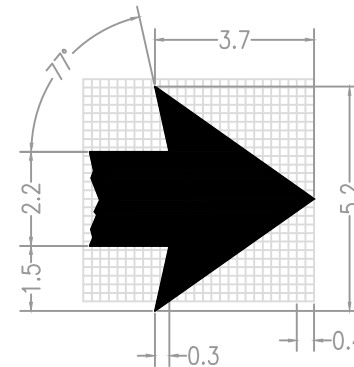
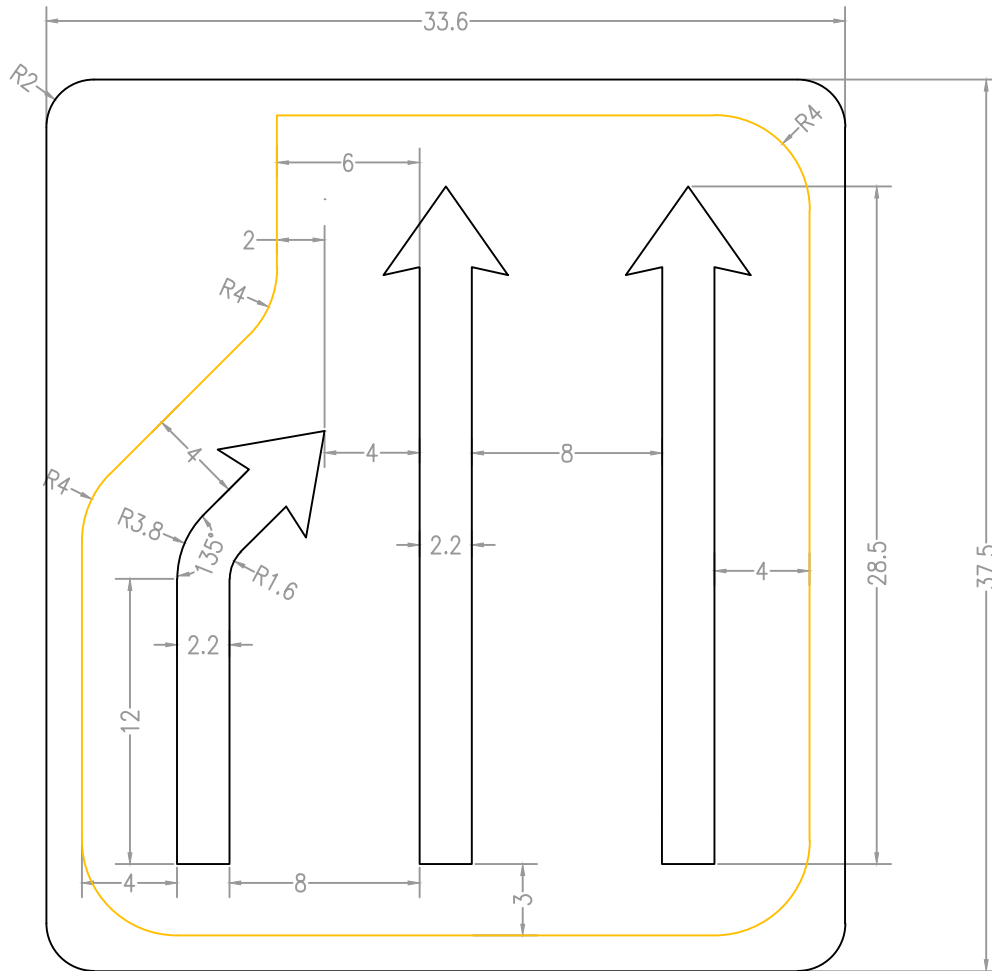
© GOVERNMENT OF IRELAND.

NOTES: 1. Dimensions do not form part of the sign.

2. Sign dimensions are in stroke widths. The table shows a range of x-heights to be used and width and height rounded to the nearest 5mm.

3. COLOURS:- Standard  
 Border BLACK  
 Background YELLOW  
 Symbol BLACK

x-height	W	H
100	840	940
125	1050	1170
175	1470	1640
225	1890	2110
300	2520	2815



An Roinn Iompair  
 Turasóireachta agus Spóirt  
 Department of Transport,  
 Tourism and Sport

Title: Warning Signs  
 Lane Loss  
 (Three to Two Lanes)

Issue: Date:  
 A: 28.09.10  
 B:  
 C:

Dimensions:  
 SEE  
 NOTE 2

Sign No.  
 W092L