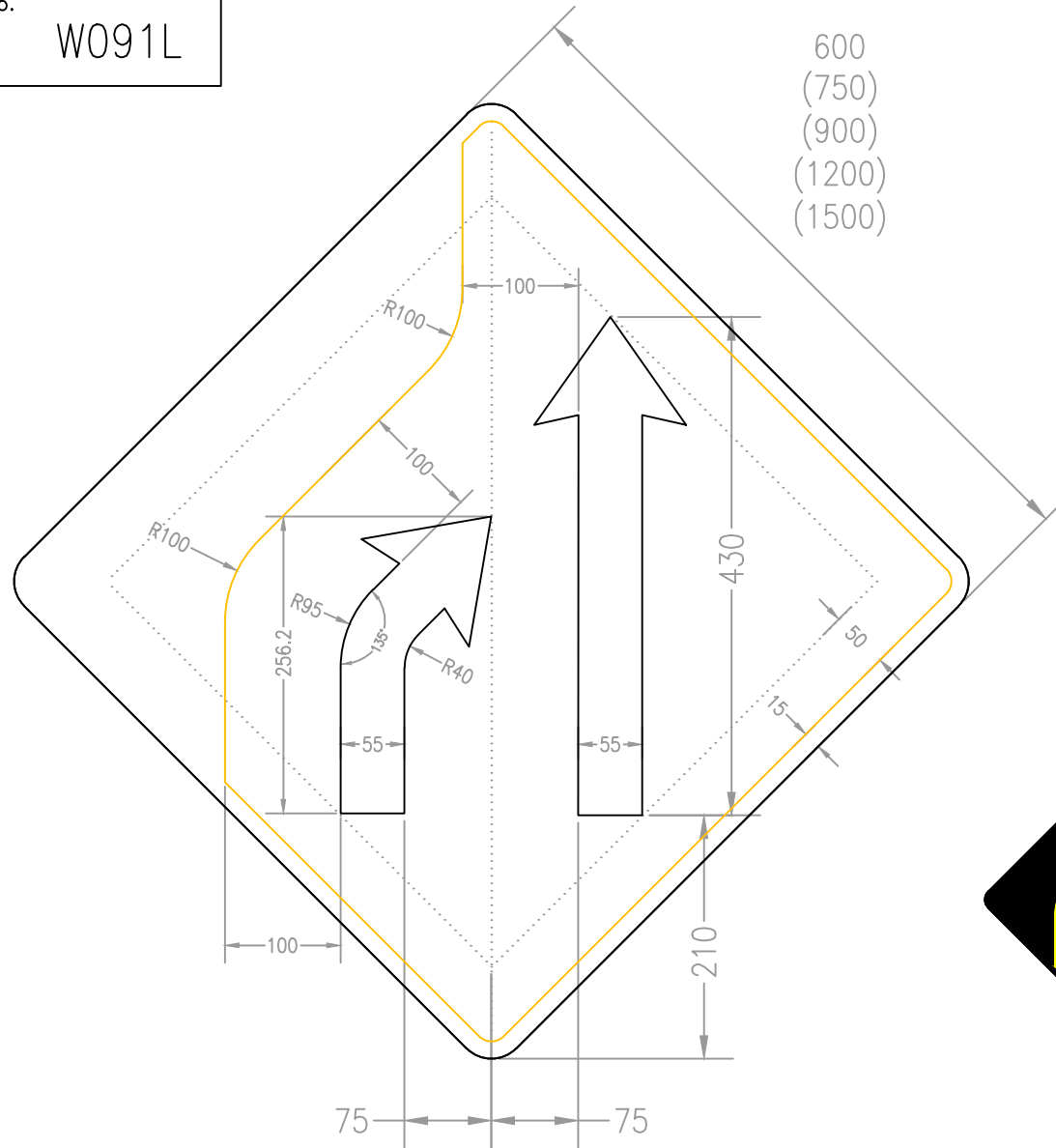


Sign No.

W091L

© GOVERNMENT OF IRELAND.



NOTES: 1. Centre line, tile marks and dimensions do not form part of the sign.

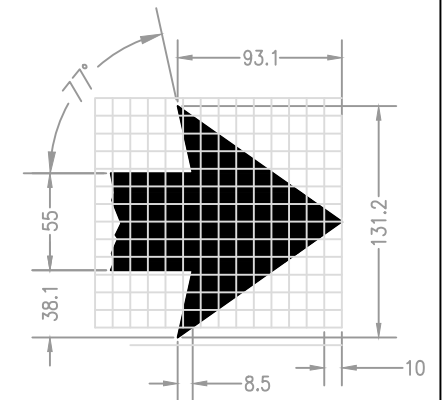
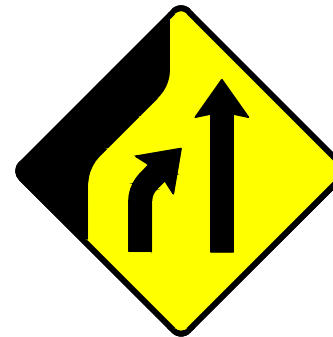
2. The 'sign size' is defined as the distance along the side and permitted dimensions for the sign are shown.

3. Other dimensions for the diamond are shown on drawing WK000.

4. ALL DIMENSIONS IN MILLIMETRES.

5. All 600 sign dimensions shall be varied proportionally for the other warning sign sizes.

6. COLOURS:— Standard
Border BLACK
Background YELLOW
Symbol BLACK



An Roinn Iompair
Turasoireachta agus Spóirt
Department of Transport,
Tourism and Sport

Title: Warning Signs
Lane Loss
(Two to One Lane)

Issue: Date:
A: 11.08.08
B:
C:

Dimensions:
MILLIMETRES

Sign No.
W091L