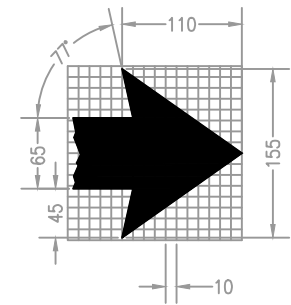
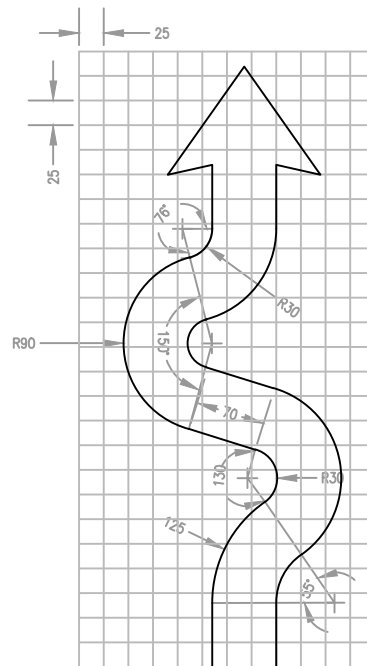
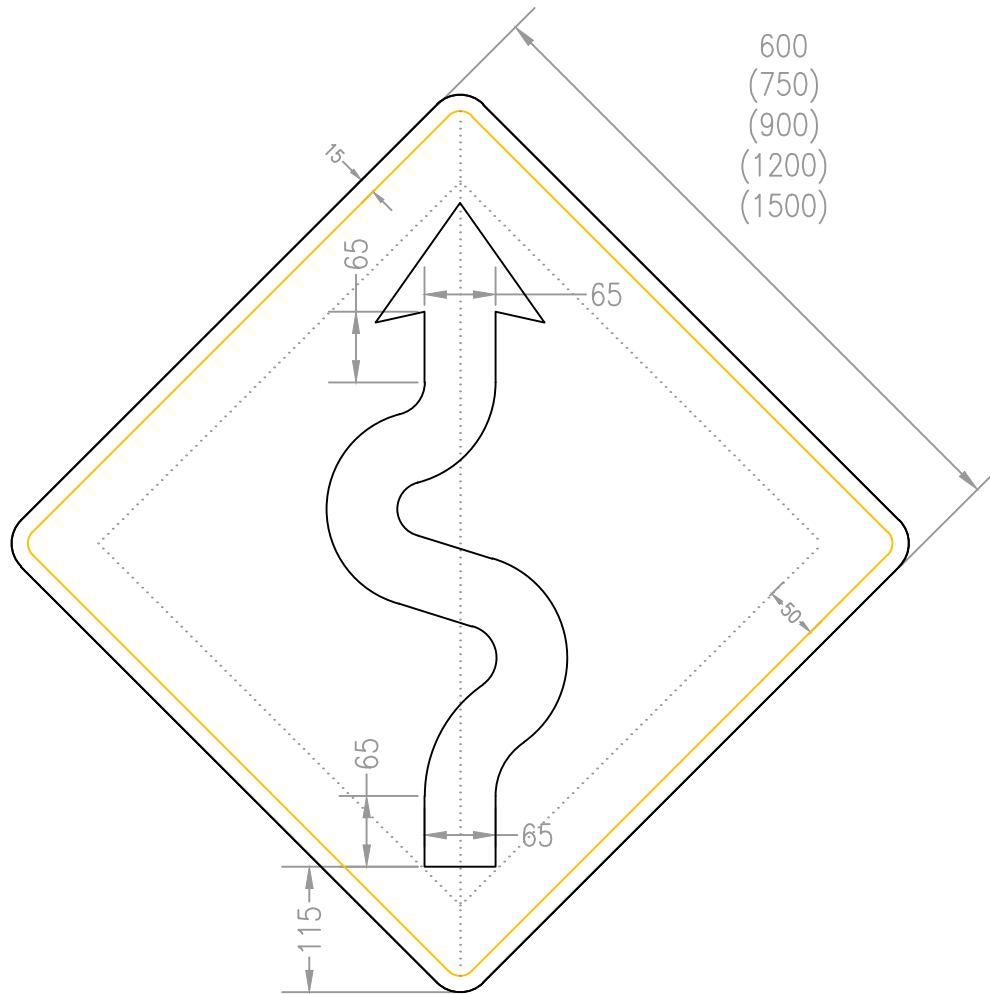


Sign No.

W053R

© GOVERNMENT OF IRELAND.

- NOTES: 1. Centre line, tile marks and dimensions do not form part of the sign.
2. The 'sign size' is defined as the distance along the side and permitted dimensions for the sign are shown.
3. ALL DIMENSIONS IN MILLIMETRES.
4. Other dimensions for the diamond are shown on drawing WK000.
5. All 600 sign dimensions shall be varied proportionally for the other warning sign sizes.
6. COLOURS:- Standard  
 Border BLACK  
 Background YELLOW  
 Symbol BLACK



An Roinn Iompair  
 Turasóireachta agus Spóirt  
 Department of Transport,  
 Tourism and Sport

Title: Chapter 6 Warning Sign

Series of Sharp Corners

Issue: Date:  
 A: 06.08.08  
 B:  
 C:

Dimensions:  
 MILLIMETRES

Sign No.  
 W053R