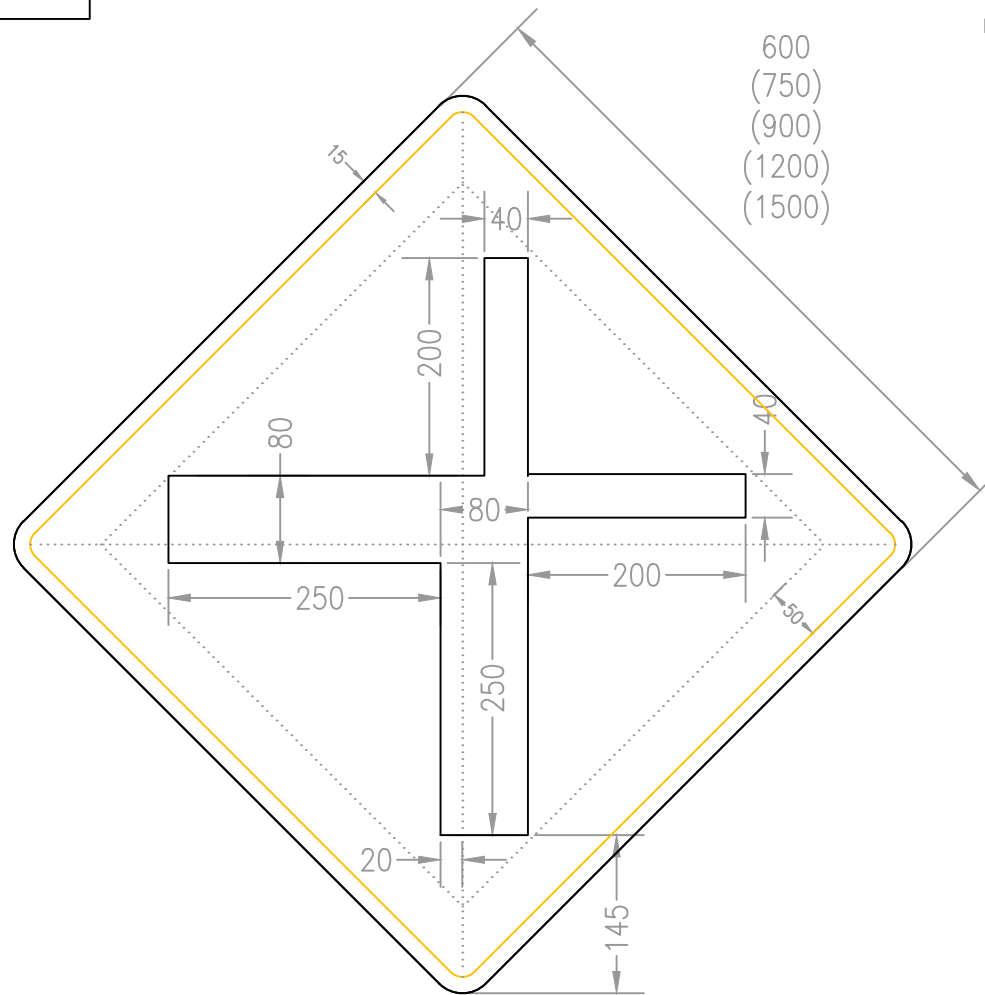


Sign No.

W006L

© GOVERNMENT OF IRELAND.



NOTES: 1. Centre line, tile marks and dimensions do not form part of the sign.

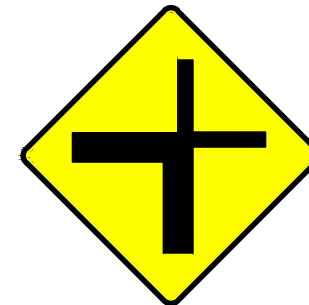
2. The 'sign size' is defined as the distance along the side and permitted dimensions for the sign are shown.

3. ALL DIMENSIONS IN MILLIMETRES.

4. Other dimensions for the diamond are shown on drawing WK000.

5. All 600 sign dimensions shall be varied proportionally for the other warning sign sizes.

6. COLOURS:— Standard
 Border BLACK
 Background YELLOW
 Symbol BLACK



An Roinn Iompair
 Turasóireachta agus Spóirt

Department of Transport,
 Tourism and Sport

Title: Chapter 6 Warning Sign
 Crossroads
 at Sharp Corner

Issue: Date:
 A: 02.09.08
 B:
 C:

Dimensions:
 MILLIMETRES

Sign No.
 W006L